

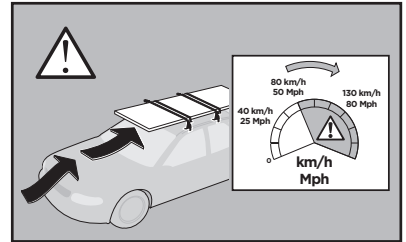
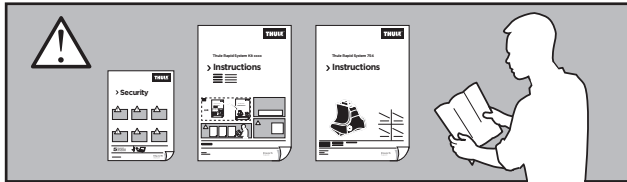
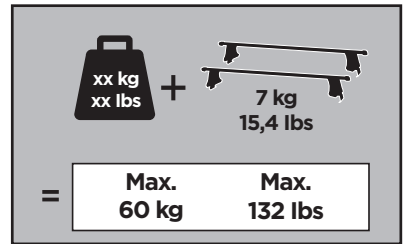
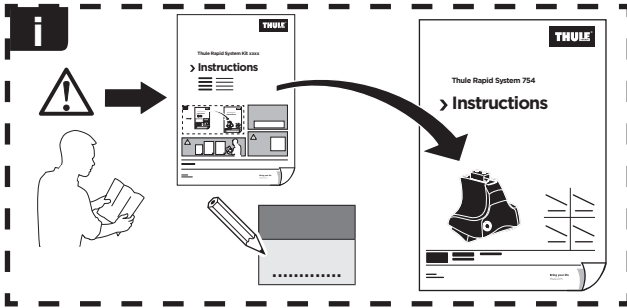
Thule Rapid System Kit 1368

> Instructions

KIA Cerato, 4-dr Sedan, 04-09

KIA Spectra, 4-dr Sedan, 04-09 / *05-09

*North America



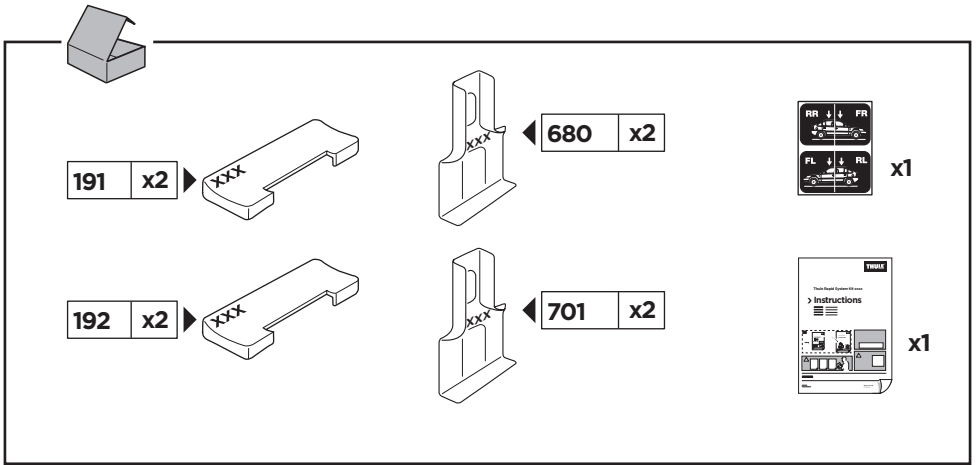
ISO 11154-E

141368

C.20121210
519-1368-02

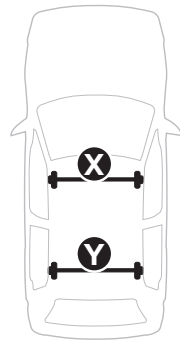
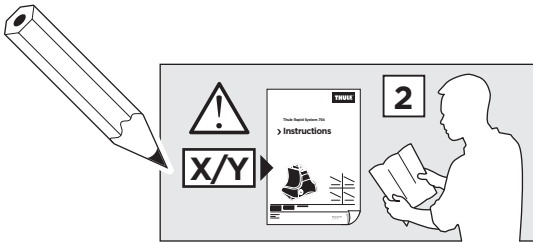
Bring your life

thule.com



1

	X (scale)	X (mm)	X (inch)
KIA Cerato , 4-dr Sedan, 04-09	29,5	946	37 1/4
KIA Spectra , 4-dr Sedan, 04-09 / *05-09	29,5	946	37 1/4

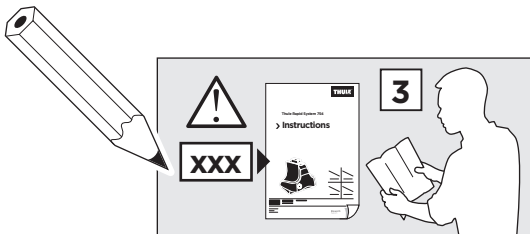
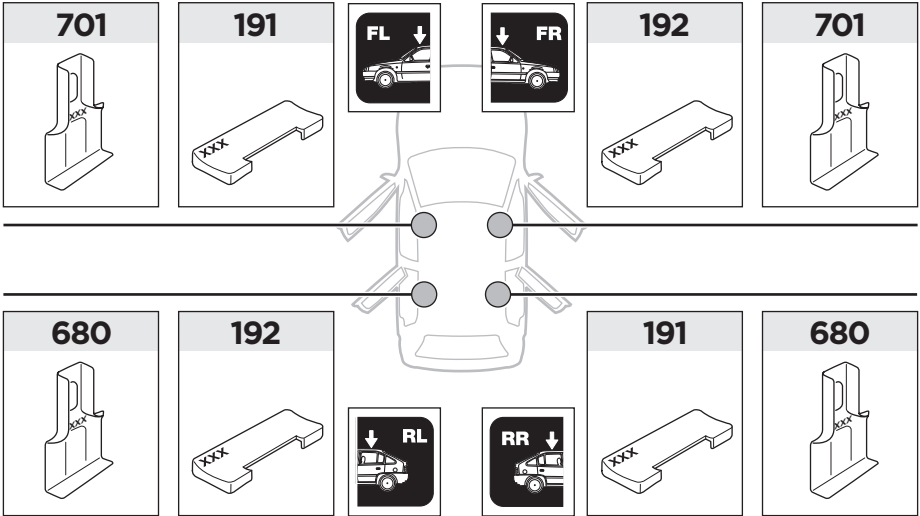


	Y (scale)	Y (mm)	Y (inch)
KIA Cerato , 4-dr Sedan, 04-09	28	931	36 5/8
KIA Spectra , 4-dr Sedan, 04-09 / *05-09	28	931	36 5/8

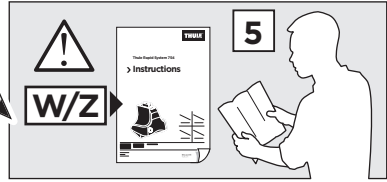
2

KIA Cerato, 4-dr Sedan, 04-09

KIA Spectra, 4-dr Sedan, 04-09 / *05-09



3



	W (mm)	Z (mm)	W (inch)	Z (inch)
KIA Cerato , 4-dr Sedan, 04-09	260	650	10 1/4	25 5/8
KIA Spectra , 4-dr Sedan, 04-09 / *05-09	260	650	10 1/4	25 5/8

